

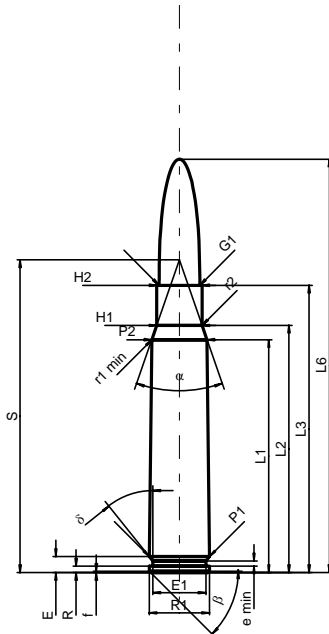
C.I.P.**8 x 57 I**

TAB. I

Datum 84-06-14

Revision 02-05-15

Ursprungsland: DE

**PATRONE MAXI****Längen**

L1 ^{1)*}	=	46.20	-0.20
L2 ^{1)*}	=	49.03	-0.20
L3 ¹⁾	=	57.00	
L4	=		
L5	=		
L6	=	82.00	

Hülsenboden

R	=	1.30	
R1	=	11.95	
R3	=		
E	=	3.20	
E1	=	10.50	
e min	=	1.00	
delta	=	38°39'36"	
f	=	0.30	
beta	=	45°	

Pulverkammer

P1	=	11.94	
P2 ^{1)*}	=	10.95	-0.20

Schulterkonus

alpha	=	38°12'02"	
S	=	62.01	
r1 min	=	0.50	
r2	=	0.50	

Hülsenhals

H1*	=	8.99	
H2 ¹⁾	=	8.99	

Geschoss

G1 ¹⁾	=	8.09	
G2	=		
F	=		
L3+G ¹⁾	=	99.00	

Drücke (Energien)**Mech. elektr. Wandler**

Pmax	=	3800 bar	
PK	=	4370 bar	
PE	=	4750 bar	
M	=	25.00	
EE	=	3950 Joule	

Verschiedene Daten

Fe ¹⁾	=	0.15	
delta L	=		

PATRONENLAGER MINI**Längen**

L1*	=	46.16	
L2*	=	48.98	
L3 ¹⁾	=	57.30	

Stoßboden

R	=	1.30	
R1	=	12.00	
R2	=		
R3	=		
r	=		

Pulverkammer

E	=	3.20	
P1 ¹⁾	=	11.97	
P2*	=	10.98	

Schulterkonus

alpha ¹⁾	=	38°19'34"	
S	=	61.96	
r1 max	=	0.50	
r2	=	0.50	

Hülsenhals

H1*	=	9.02	
H2 ¹⁾	=	9.01	

Geschossübergang

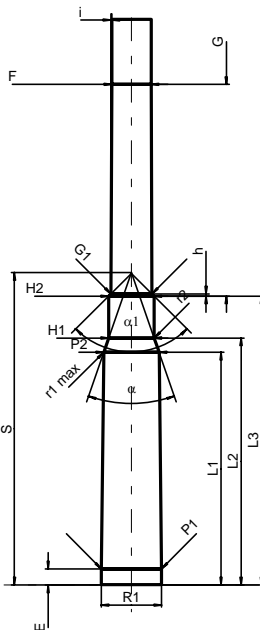
G1 ^{1)*}	=	8.15	
G ^{1)*}	=	42.00	
alpha1	=	90°	
h*	=	0.43	
s	=		
i ¹⁾	=	0°14'28"	
w	=		

Lauf

F ^{1)*}	=	7.80	
Z ¹⁾	=	8.07	

Züge

b	=	4.40	
N	=	4	
u	=	240.00	
Q	=	50.30	mm ²



Maßstab 1:1.5

Maße in << mm >>
Maße und Toleranzen für Messläufe
siehe Anhang CR 1.

Bemerkungen: 1) Kontrolle aus Sicherheitsgründen
* Grundmaße