

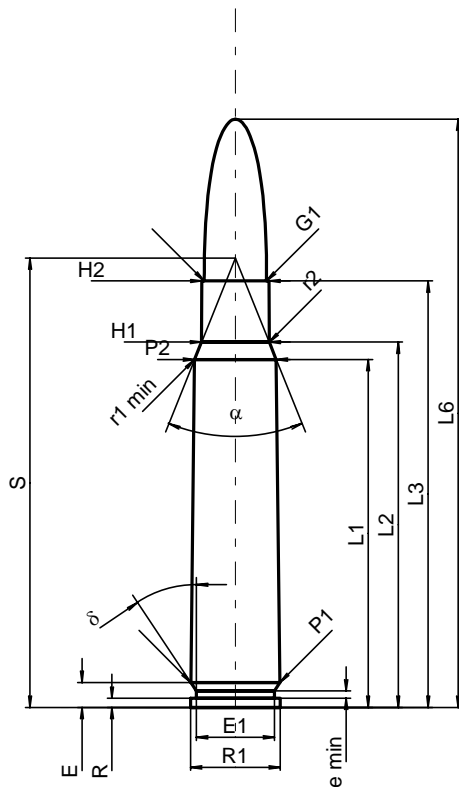
C.I.P.**8 x 56 M.-Sch.**

TAB. I

Datum 84-06-14

Revision 02-05-15

Ursprungsland: AT

**PATRONE MAXI****Längen**

L1 ^{1)*}	=	46.00	-0.20
L2 ^{1)*}	=	48.30	-0.20
L3 ¹⁾	=	56.40	
L4	=		
L5	=	56.70	
L6	=	77.80	

Hülsenboden

R	=	1.20	
R1	=	11.85	
R3	=		
E	=	3.30	
E1	=	10.30	
e min	=	1.00	
δ	=	33°45'	
f	=		
β	=	90°	

Pulverkammer

P1	=	11.77	
P2 ^{1)*}	=	10.80	+0.20

Schulterkonus

α	=	43°49'02"	
S	=	59.43	
r1 min	=	0.50	
r2	=	0.50	

Hülsenhals

H1*	=	8.95	
H2 ¹⁾	=	8.90	

Geschoss

G1 ¹⁾	=	8.25	
G2	=	8.25	
F	=		
L3+G ¹⁾	=	77.50	

Drücke (Energien)**Mech. elektr. Wandler**

Pmax	=	3200 bar	
PK	=	3680 bar	
PE	=	4000 bar	
M	=	25.00	
EE	=	2860 Joule	

Verschiedene Daten

Fe ¹⁾	=	0.15	
delta L	=		

PATRONENLAGER MINI**Längen**

L1*	=	46.00	
L2*	=	48.30	
L3 ¹⁾	=	56.40	

Stoßboden

R	=	1.20	
R1	=	11.90	
R2	=		
R3	=		
r	=		

Pulverkammer

E	=	3.30	
P1 ¹⁾	=	11.83	
P2*	=	10.85	

Schulterkonus

α ¹⁾	=	43°49'02"	
S	=	59.49	
r1 max	=	0.50	
r2	=	0.50	

Hülsenhals

H1*	=	9.00	
H2 ¹⁾	=	8.95	

Geschossübergang

G1 ^{1)*}	=	8.40	
G ^{1)*}	=	21.10	
α1	=	180°	
h	=		
s	=		
i ¹⁾	=	0°36'39"	
w	=		

Lauf

F ^{1)*}	=	7.95	
Z ¹⁾	=	8.30	

Züge

b	=	3.80	
N	=	4	
u	=	250.00	
Q	=	52.41	mm ²

Maßstab 1:1

Maße in << mm >>
Maße und Toleranzen für Messläufe
siehe Anhang CR 1.

Bemerkungen: 1) Kontrolle aus Sicherheitsgründen
* Grundmaße