

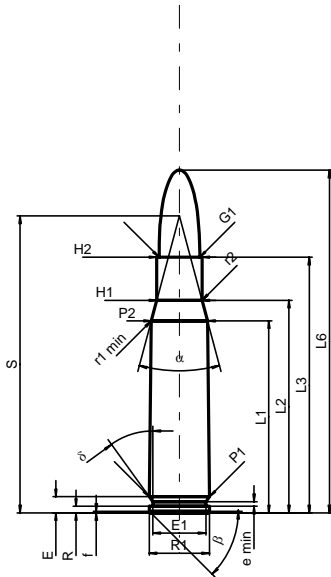
C.I.P.**8 x 51 (Mauser K)**

TAB. I

Datum 84-06-14

Revision 02-05-15

Ursprungsland: DE

**PATRONE MAXI****Längen**

L1 ^{1)*}	=	38.09	-0.20
L2 ^{1)*}	=	42.16	-0.20
L3 ¹⁾	=	50.70	
L4	=		
L5	=		
L6	=	68.00	

Hülsenboden

R	=	1.30	
R1	=	11.95	
R3	=		
E	=	3.20	
E1	=	10.50	
e min	=	0.90	
delta	=	36°	
f	=	0.30	
beta	=	45°	

Pulverkammer

P1	=	11.95	
P2 ^{1)*}	=	11.15	-0.20

Schulterkonus

alpha	=	29°59'08"	
S	=	58.91	
r1 min	=	0.50	
r2	=	0.50	

Hülsenhals

H1 *	=	8.97	
H2 ¹⁾	=	8.97	

Geschoss

G1 ¹⁾	=	8.07	
G2	=		
F	=		
L3+G ¹⁾	=	85.70	

Drücke (Energien)**Mech. elektr. Wandler**

Pmax	=	3400 bar	
PK	=	3910 bar	
PE	=	4250 bar	
M	=	25.00	
EE	=	2635 Joule	

Verschiedene Daten

Fe ¹⁾	=	0.15	
delta L	=		

PATRONENLAGER MINI**Längen**

L1 *	=	38.04	
L2 *	=	42.09	
L3 ¹⁾	=	51.00	

Stoßboden

R	=	1.30	
R1	=	12.00	
R2	=		
R3	=		
r	=		

Pulverkammer

E	=	3.20	
P1 ¹⁾	=	11.98	
P2 *	=	11.18	

Schulterkonus

alpha ¹⁾	=	29°59'42"	
S	=	58.91	
r1 max	=	0.50	
r2	=	0.50	

Hülsenhals

H1 *	=	9.01	
H2 ¹⁾	=	9.00	

Geschossübergang

G1 ^{1)*}	=	8.15	
G ^{1)*}	=	35.00	
alpha 1	=	180°	
h	=		
s	=		
i ¹⁾	=	0°17'11"	
w	=		

Lauf

F ^{1)*}	=	7.80	
Z ¹⁾	=	8.07	

Züge

b	=	4.40	
N	=	4	
u	=	240.00	
Q	=	50.30	mm ²

Maßstab 1:1.5

Maße in << mm >>
Maße und Toleranzen für Messläufe
siehe Anhang CR 1.

Bemerkungen: 1) Kontrolle aus Sicherheitsgründen
* Grundmaße