

# C.I.P.

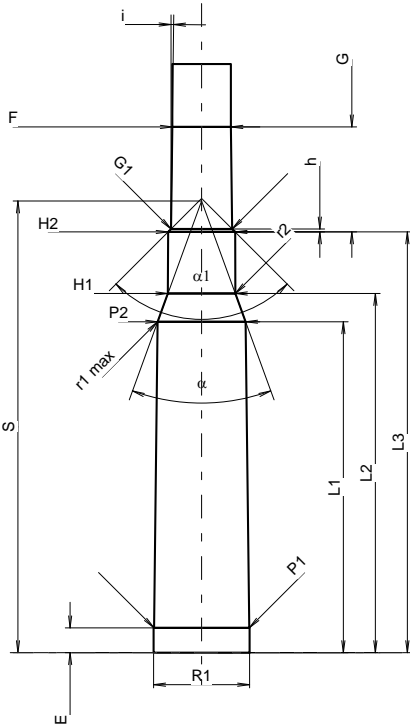
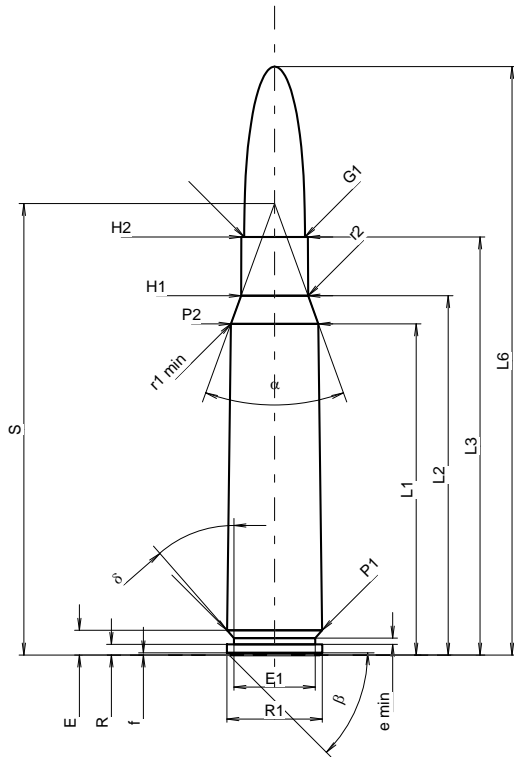
## 7,5 x 54 MAS

Country of Origin: FR

TAB. I

Date 07-05-14

Revision 11-05-25



Scale 1.02:1

Dimensions in << mm >>  
Dimensions and Tolerances for Proof Barrels  
see Appendix CR 1.

### CARTRIDGE MAXI

#### Lengths

L1 <sup>1)</sup>	=	42.79	-0.20
L2 <sup>1)</sup>	=	46.42	-0.20
L3 <sup>1)</sup>	=	54.00	
L4	=		
L5	=		
L6	=	76.00	

#### Case Head

R	=	1.40	
R1	=	12.34	
R3	=		
E	=	3.20	
E1	=	10.50	
e min	=	0.80	
delta	=	41°11'9"	
f	=	0.30	
beta	=	45°	

#### Powder Chamber

P1	=	12.25	
P2 <sup>1)</sup> *	=	11.30	-0.20

#### Junction Cone

alpha <sup>*</sup>	=	40°	
S <sup>*</sup>	=	58.32	
r1 min	=	2.00	
r2	=	3.20	

#### Collar

H1 <sup>*</sup>	=	8.66	
H2 <sup>1)</sup>	=	8.62	

#### Projectile

G1 <sup>1)</sup>	=	7.84	
G2	=		
F	=		
L3+G <sup>1)</sup>	=	67.58	

#### Pressures (Energies)

#### Method Transducer

Pmax	=	3800 bar	
PK	=	4370 bar	
PE	=	4750 bar	
M	=	25.00	
EE	=	3250 Joule	

#### Miscellaneous Dimensions

Fe <sup>1)3)</sup>	=	0.15	
delta L	=		

### CHAMBER MINI

#### Lengths

L1	=	42.73	
L2	=	46.37	
L3 <sup>1)</sup>	=	54.32	

#### Breech

R	=		
R1	=	12.39	
R2	=		
R3	=		
r	=		

#### Powder Chamber

E	=	3.20	
P1 <sup>1)</sup>	=	12.30	
P2 <sup>*</sup>	=	11.35	

#### Junction Cone

alpha <sup>1)</sup> *	=	40°	
S <sup>*</sup>	=	58.32	
r1 max	=	2.00	
r2	=	3.20	

#### Collar

H1 <sup>*</sup>	=	8.70	
H2 <sup>1)</sup>	=	8.66	

#### Commencement of Rifling

G1 <sup>1)</sup> *	=	7.90	
G <sup>1)</sup>	=	13.58	
alpha1 <sup>*</sup>	=	90°	
h	=	0.38	
s	=		
i <sup>1)</sup> *	=	0°42'58"	
w	=		

#### Barrel

F <sup>1)</sup> *	=	7.57	
Z <sup>1)</sup>	=	7.85	

#### Grooves

b	=	3.70	
N	=	4	
u	=	270.00	
Q	=	47.17	mm <sup>2</sup>

Notes: 1) Check for safety reasons  
3) Headspace on Shoulder  
\* Basic dimensions