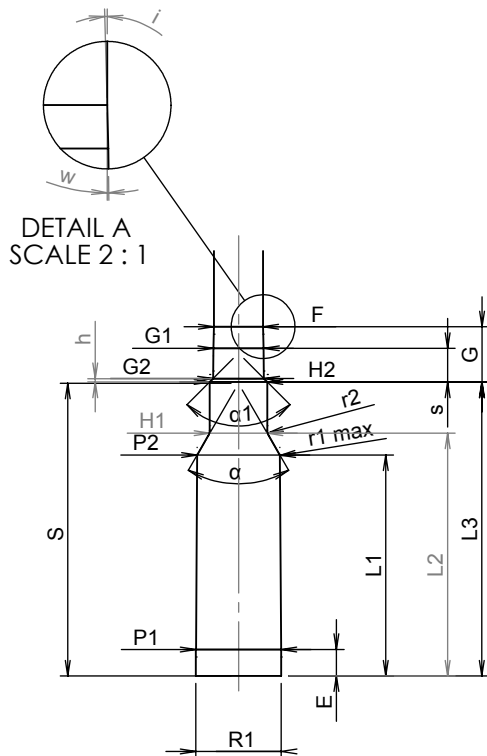
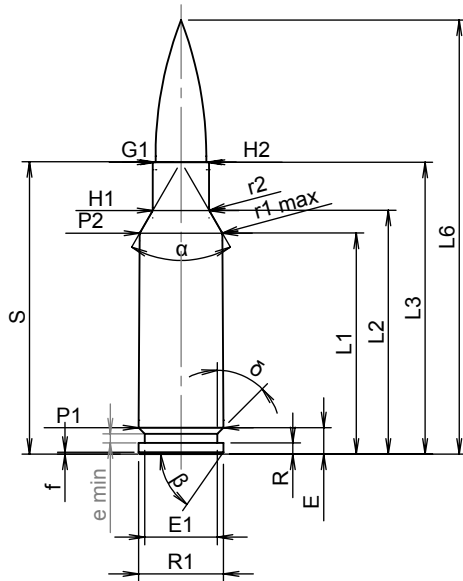


# C.I.P.

# 6,5 Grendel

Country of Origin: **US**TAB: **I**  
Date: **13-05-22**  
Revision: **15-05-19**

Alternative Names: -

**CARTRIDGE MAXI****Lengths**L1<sup>1)</sup> = **29.23**    **-0.20**  
L2<sup>1)</sup> = **32.25**    **-0.20**  
L3<sup>1)</sup> = **38.61**  
L4 = -  
L5 = -  
L6 = **57.40****Case Head**R = **1.50**  
R1 = **11.20**  
R3 = -  
E = **3.5**  
E1 = **9.60**  
e min = **1.19**  
O = **45.00°**  
f = **0.25**  
beta = **55.00°****Powder Chamber**P1 = **11.22**  
P2<sup>1)\*</sup> = **10.92**    **-0.20****Junction Cone**alpha\* = **60.00°**  
S\* = **38.68**  
r1 min = **0.76**  
r2 = **1.27****Collar**H1\* = **7.44**  
H2<sup>1)</sup> = **7.44****Projectile**G1<sup>1)</sup> = **6.71**  
G2 = -  
F = -  
L3+G<sup>1)</sup> = **45.93****Pressures(Energies)  
Method Transducer**Pmax = **4050 bar**  
PK = **4658 bar**  
PE = **5063 bar**  
M = **25.00**  
EE = **2800 Joule****Miscellaneous Dimensions**Fe<sup>1)3)</sup> = **0.10**  
delta L = -**CHAMBER MINI****Lengths**L1 = **29.21**  
L2 = **32.09**  
L3<sup>1)</sup> = **38.86****Breech**R = -  
R1 = **11.30**  
R2 = -  
R3 = -  
r = -**Powder Chamber**E = **3.5**  
P1<sup>1)</sup> = **11.26**  
P2\* = **10.95****Junction Cone**alpha<sup>1)\*</sup> = **60.00°**  
S\* = **38.69**  
r1 max = **0.51**  
r2 = **1.52****Collar**H1\* = **7.62**  
H2<sup>1)</sup> = **7.62**  
G2<sup>1)\*</sup> = **6.72****Commencement of Rifling**G1<sup>1)\*</sup> = **6.65**  
G<sup>1)</sup> = **7.32**  
alpha = **90.00°**  
h = **0.45**  
s\* = **4.46**  
j<sup>1)\*</sup> = **1°30'00"**  
w<sup>1)\*</sup> = **0°30'00"****Barrel**F<sup>1)\*</sup> = **6.50**  
Z<sup>1)</sup> = **6.71****Grooves**b = **2.29**  
N = **6**  
u = **200**  
Q = **34.66 mm<sup>2</sup>**Dimensions in <<mm>>  
Dimensions and Tolerances for Proof Barrels  
see Appendix CR1.Notes: 1) Check for safety reason  
3) Headspace on Shoulder  
\* Basic dimensions