

# C.I.P.

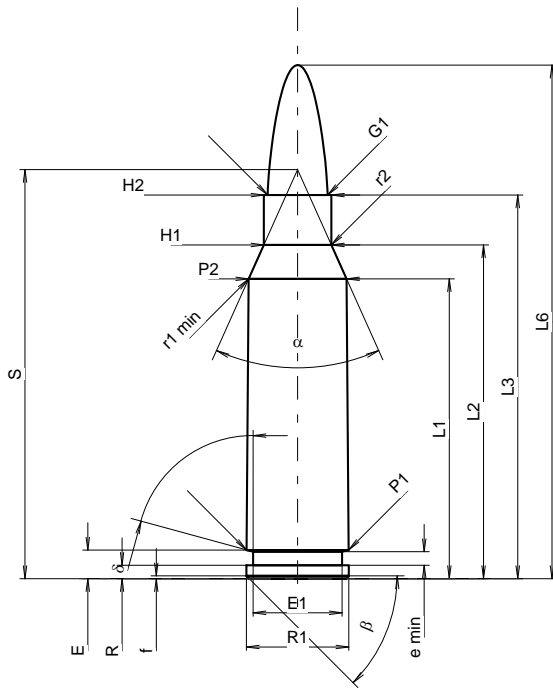
## 6,5 mm Lahoz

TAB. I

Date 11-05-25

Country of Origin: FR

Revision



### CARTRIDGE MAXI

#### Lengths

L1 <sup>1)</sup>	=	33.52	-0.20
L2 <sup>1)</sup>	=	37.30	-0.20
L3 <sup>1)</sup>	=	42.87	
L4	=		
L5	=		
L6	=	57.40	

#### Case Head

R	=	1.50	
R1	=	11.45	
R3	=		
E	=	3.20	
E1	=	9.95	
e min	=	1.50	
delta	=	74°40'48"	
f	=	0.30	
beta	=	45°	

#### Powder Chamber

P1	=	11.41	
P2 <sup>1)</sup> *	=	10.94	-0.20

#### Junction Cone

alpha *	=	48°18'15"	
S *	=	45.72	
r1 min	=	3.00	
r2	=	2.00	

#### Collar

H1 *	=	7.55	
H2 <sup>1)</sup>	=	7.55	

#### Projectile

G1 <sup>1)</sup> *	=	6.71	
G2	=		
F	=		
L3+G <sup>1)</sup>	=	48.49	

#### Pressures (Energies)

##### Method Transducer

Pmax	=	3450 bar	
PK	=	3968 bar	
PE	=	4313 bar	
M	=	25.00	
EE	=	2010 Joule	

#### Miscellaneous Dimensions

Fe <sup>1)3)</sup>	=	0.15	
delta L	=	0.14	

### CHAMBER MINI

#### Lengths

L1	=	33.42	
L2	=	37.20	
L3 <sup>1)</sup>	=	42.72	

#### Breech

R	=		
R1	=	11.47	
R2	=		
R3	=		
r	=		

#### Powder Chamber

E	=	3.20	
P1 <sup>1)</sup>	=	11.46	
P2 *	=	10.95	

#### Junction Cone

alpha <sup>1)</sup> *	=	48°10'40"	
S *	=	45.67	
r1 max	=	3.00	
r2	=	2.00	

#### Collar

H1 *	=	7.57	
H2 <sup>1)</sup>	=	7.57	

#### Commencement of Rifling

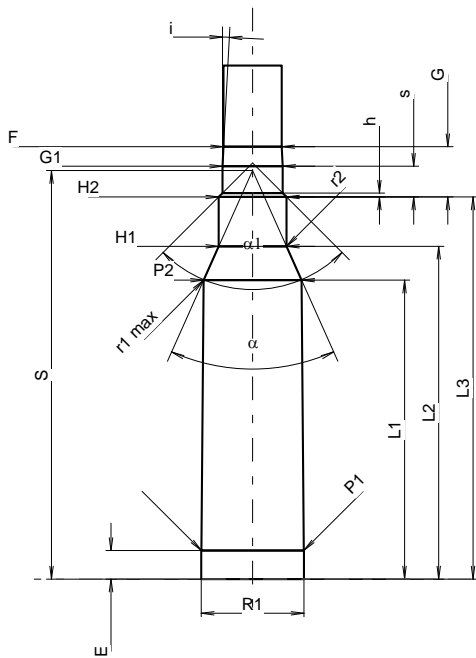
G1 <sup>1)</sup> *	=	6.73	
G <sup>1)</sup>	=	5.62	
alpha l	=	90°	
h	=	0.42	
s	=	3.43	
i <sup>1)</sup> *	=	3°	
w	=		

#### Barrel

F <sup>1)</sup> *	=	6.50	
Z <sup>1)</sup>	=	6.70	

#### Grooves

b	=	2.42	
N	=	6	
u	=	228.60	
Q	=	34.67	mm <sup>2</sup>



Scale 1.18:1

Dimensions in << mm >>  
Dimensions and Tolerances for Proof Barrels  
see Appendix CR 1.

Notes: 1) Check for safety reasons  
3) Headspace on Shoulder  
\* Basic dimensions