

C.I.P.**6,5 Creedmoor**

TAB.

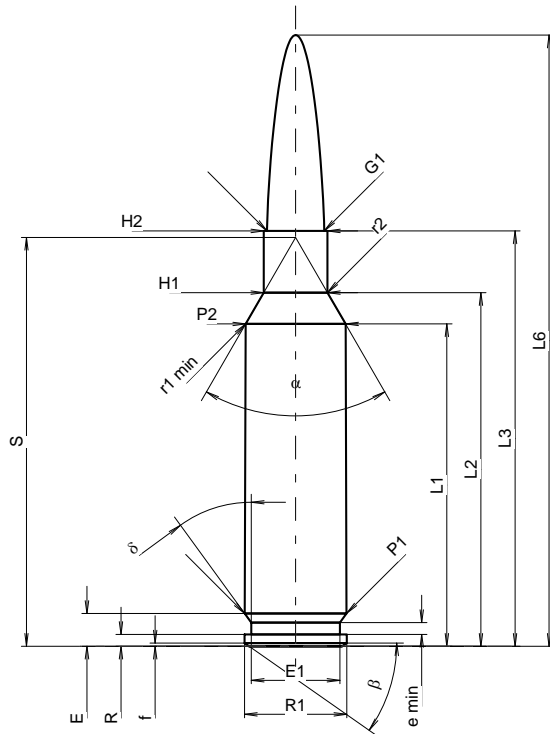
I

Datum

12-05-30

Revision

Ursprungsland: US

**PATRONE MAXI****Längen**

| | | | |
|------------------|---|-------|-------|
| L1 ¹⁾ | = | 37.84 | -0.20 |
| L2 ¹⁾ | = | 41.52 | -0.20 |
| L3 ¹⁾ | = | 48.77 | |
| L4 | = | | |
| L5 | = | | |
| L6 | = | 71.76 | |

Hülsenboden

| | | | |
|-------|---|-------|--|
| R | = | 1.37 | |
| R1 | = | 12.01 | |
| R3 | = | | |
| E | = | 3.84 | |
| E1 | = | 10.39 | |
| e min | = | 1.40 | |
| delta | = | 36° | |
| f | = | 0.38 | |
| beta | = | 35° | |

Pulverkammer

| | | | |
|--------------------|---|-------|-------|
| P1 | = | 11.95 | |
| P2 ¹⁾ * | = | 11.74 | -0.20 |

Schulterkonus

| | | | |
|---------|---|-------|--|
| alpha * | = | 60° | |
| S * | = | 48.01 | |
| r1 min | = | 0.76 | |
| r2 | = | 3.18 | |

Hülsenhals

| | | | |
|------------------|---|------|--|
| H1 * | = | 7.49 | |
| H2 ¹⁾ | = | 7.49 | |

Geschoss

| | | | |
|--------------------|---|-------|--|
| G1 ¹⁾ | = | 6.72 | |
| G2 | = | | |
| F | = | | |
| L3+G ¹⁾ | = | 58.42 | |

Drücke (Energien)**Mech. elektr. Wandler**

| | | | |
|------|---|------------|--|
| Pmax | = | 4350 bar | |
| PK | = | 5003 bar | |
| PE | = | 5438 bar | |
| M | = | 25.00 | |
| EE | = | 3400 Joule | |

Verschiedene Daten

| | | | |
|--------------------|---|------|--|
| Fe ¹⁾³⁾ | = | 0.10 | |
| delta L | = | 0.06 | |

PATRONENLAGER MINI**Längen**

| | | | |
|------------------|---|-------|--|
| L1 | = | 37.76 | |
| L2 | = | 41.42 | |
| L3 ¹⁾ | = | 48.90 | |

Stoßboden

| | | | |
|----|---|-------|--|
| R | = | | |
| R1 | = | 12.01 | |
| R2 | = | | |
| R3 | = | | |
| r | = | | |

Pulverkammer

| | | | |
|------------------|---|-------|--|
| E | = | 3.84 | |
| P1 ¹⁾ | = | 11.98 | |
| P2 * | = | 11.76 | |

Schulterkonus

| | | | |
|-----------------------|---|-------|--|
| alpha ¹⁾ * | = | 60° | |
| S * | = | 47.95 | |
| r1 max | = | 0.76 | |
| r2 | = | 3.18 | |

Hülsenhals

| | | | |
|------------------|---|------|--|
| H1 * | = | 7.54 | |
| H2 ¹⁾ | = | 7.52 | |

Geschossübergang

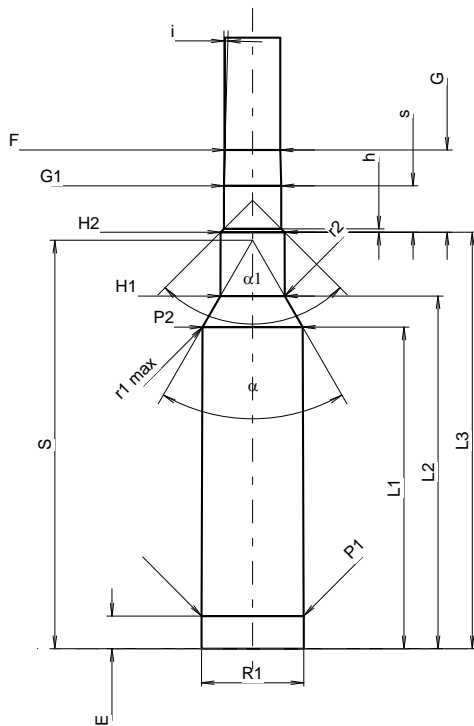
| | | | |
|--------------------|---|-------|--|
| G1 ¹⁾ * | = | 6.72 | |
| G ¹⁾ | = | 9.65 | |
| alpha 1 | = | 90° | |
| h | = | 0.40 | |
| s * | = | 5.45 | |
| i ¹⁾ * | = | 1°30' | |
| w | = | | |

Lauf

| | | | |
|-------------------|---|------|--|
| F ¹⁾ * | = | 6.50 | |
| Z ¹⁾ | = | 6.71 | |

Züge

| | | | |
|---|---|--------|-----------------|
| b | = | 2.29 | |
| N | = | 6 | |
| u | = | 203.00 | |
| Q | = | 34.66 | mm ² |



Maßstab 1.13:1

Maße in << mm >>
Maße und Toleranzen für Messläufe
siehe Anhang CR1.

Bemerkungen: 1) Kontrolle aus Sicherheitsgründen
3) Verschlussabstand an Schulter
* Grundmaße