

C.I.P.**450 Rigby**

Ursprungsland: GB

TAB.

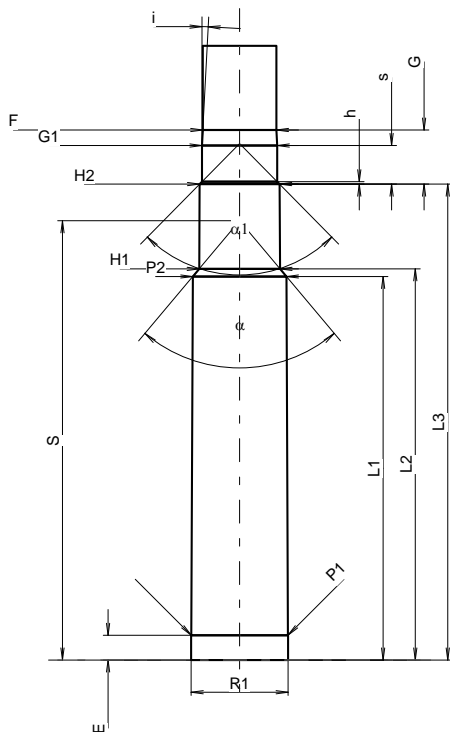
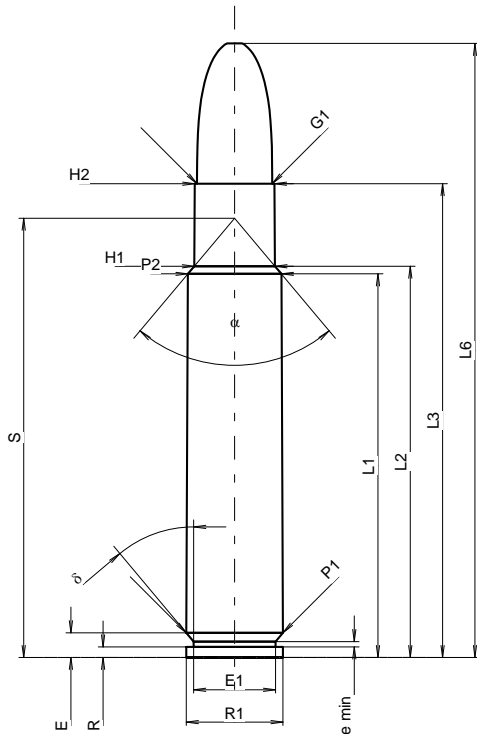
I

Datum

00-02-15

Revision

07-05-14



Maßstab 1:1.17

Maße in << mm >>
Maße und Toleranzen für Messläufe
siehe Anhang CR 1.

PATRONE MAXI**Längen**

L1 *	=	59.50	-0.20
L2 *	=	60.69	-0.20
L3 ¹⁾	=	73.50	
L4	=		
L5	=		
L6	=	95.25	

Hülsenboden

R	=	1.65	
R1	=	14.99	
R3	=		
E	=	3.81	
E1	=	12.70	
e min	=	0.81	
delta	=	39°55'50"	
f	=		
beta	=		

Pulverkammer

P1	=	14.96	
P2 ¹⁾ *	=	14.50	-0.20

Schulterkonus

alpha	=	80°04'59"	
S	=	68.13	
r1 min	=		
r2	=		

Hülsenhals

H1 *	=	12.50	
H2 ¹⁾	=	12.38	

Geschoss

G1 ¹⁾	=	11.66	
G2	=		
F	=		
L3+G ¹⁾	=	81.89	

Drücke (Energien)**Mech. elektr. Wandler**

Pmax	=	4000 bar	
PK	=	4600 bar	
PE	=	5000 bar	
M	=	25.00	
EE	=	8715 Joule	

Verschiedene Daten

Fe ¹⁾³⁾	=	0.10	
delta L	=		

PATRONELAGER MINI**Längen**

L1 *	=	59.48	
L2 *	=	60.67	
L3 ¹⁾	=	73.80	

Stoßboden

R	=	1.65	
R1	=	15.04	
R2	=		
R3	=		
r	=		

Pulverkammer

E	=	3.81	
P1 ¹⁾	=	14.99	
P2 *	=	14.53	

Schulterkonus

alpha ¹⁾	=	80°04'59"	
S	=	68.13	
r1 max	=		
r2	=		

Hülsenhals

H1 *	=	12.53	
H2 ¹⁾	=	12.41	

Geschossübergang

G1 ¹⁾ *	=	11.68	
G ¹⁾ *	=	8.39	
alpha1	=	89°13'14"	
h	=	0.37	
s *	=	6.00	
i ¹⁾	=	2°59'38"	
w	=		

Lauf

F ¹⁾ *	=	11.43	
Z ¹⁾	=	11.63	

Züge

b	=	3.60	
N	=	6	
u	=	420.00	
Q	=	104.80	mm ²

Bemerkungen: 1) Kontrolle aus Sicherheitsgründen
3) Verschlussabstand an Schulter
* Grundmaße